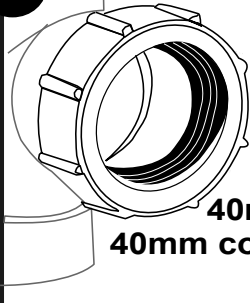


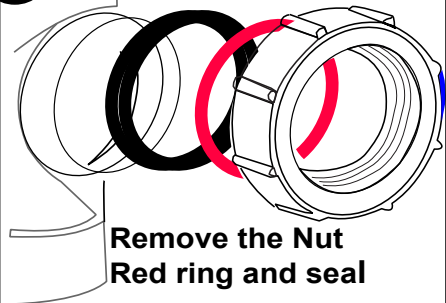
Step by Step Installation

1



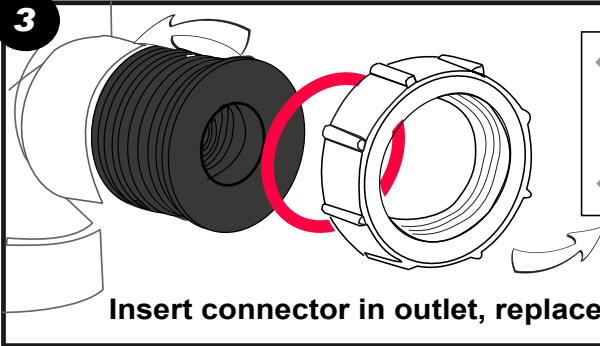
Fits any
40mm Trap or
40mm compression
fitting

2



Remove the Nut
Red ring and seal

3

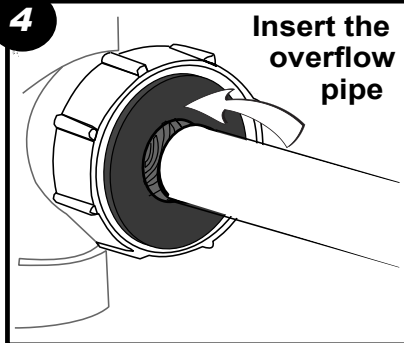


Insert connector in outlet, replace red ring & tighten.



Discard
ring seal
supplied
with trap

4



Insert the
overflow
pipe

**ONE SIZE
FITS ALL:**

Designed
to accept almost
all overflow pipe
from \emptyset pipe sizes:
16.46mm to 24.28mm

